



PHARMA MACHINERIES



AUTOMATIC STRIP PACKING MACHINE

RIDDHI PHARMA MACHINERY LTD.

Manufacturer & Exporters of Pharmaceutical Machineries

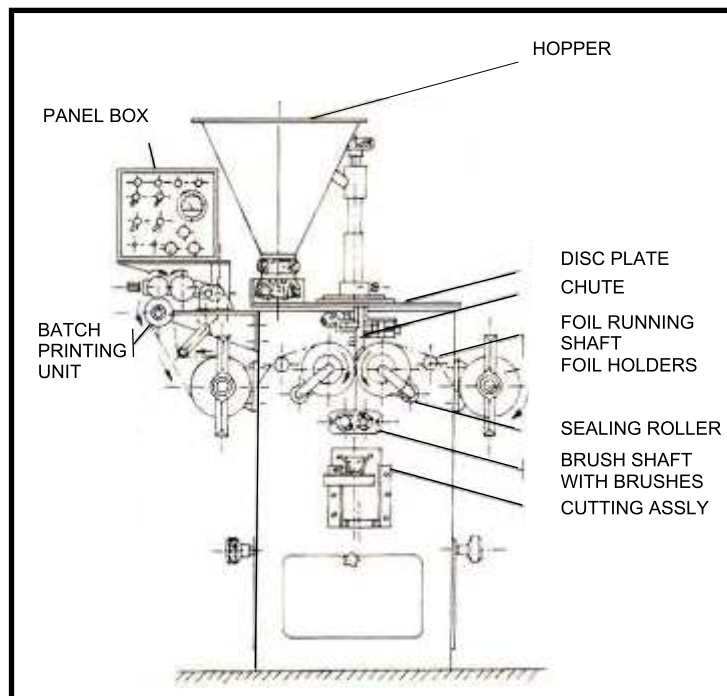
MUMBAI OFFICE: Om-shivam soc., Tarun Bharat Bldg. No.2, Opp. Cigaratte Factory, Sahar Road, Andheri (East), Mumbai - 400 099. Maharashtra, India Tel.: +91-22-28321332 / 28382479 Mobile: +91- 9821018579

Skype : hiten.k.shah **Whatsapp :** 9821018579 / 9969994187 **Email:** hkshah@riddhipharma.com

Web : www.riddhipharma.com / www.riddhipharma.net

REGD. OFFICE & FACTORY : Riddhi Estate, Gulab Nagar, Opp. AEC, Amraiwadi, Ahmedabad - 380026. India.

FULLY AUTOMATIC STRIP PACKING MACHINE



PRODUCT INFORMATION

Automatic Strip Packing Machine is built on advanced technology to fulfill the requirement in Pharmaceutical Packing Industry. Strip Packing Machine gives high speed and uninterrupted performance at low maintenance cost. They are ideal for high speed sealing of coated or uncoated tablets, capsules or lozenges of any shape or size in Aluminium foils, Polythene, cellophane or any other heat sealing material.

FEATURES

- Automatic Feeding, Sealing, Slitting and Cutting are done simultaneously. Therefore, its efficiency is high, meaning production cost is decreased due to reduction of labour cost.

The exterior of the machine is made out of Stainless Steel, which makes it easy to be cleaned and meet G.M.P.

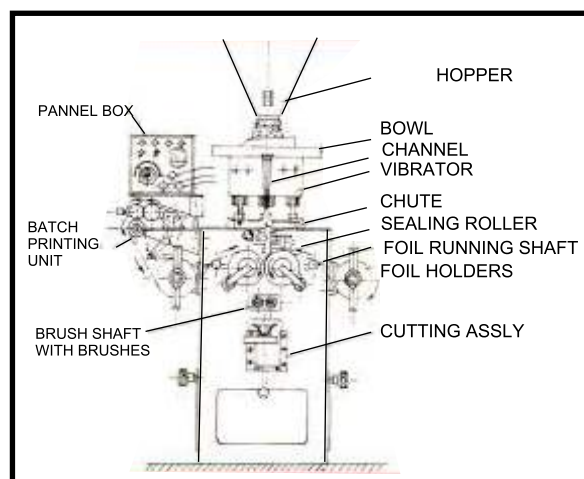
- It is easy to operate and anyone can learn the operation instantly.
- The change parts can easily be replaced.

FLOW CHART

- VIBRATOR : Which Transports the product through supply tablets to the Chute.
 CHUTE : The Device grips the various pieces and centers them for their entry in to the sealing Roller.
 SEALING ROLLER: The Temperature of Sealing Roller can be steadily maintained because precise temperature control device is adopted.
 SLITTING : The column number and location of the slitting can adjusted easily.
 DRAW BRUSHES : Tense the strip makes sure the Sealing and Cutting is perfect.
 CUTTER : The row number of cutting can be adjusted as per your

TECHNICAL SPECIFICATION

- DRIVE MOTOR : 0.5 HP 3 Phase 415 Volts 50Hz
 NET WEIGHT : 450.000 Kgs.
 GROSS WEIGHT : 750.000 Kgs.
 DIMENSION : 1000(L) X 850 (W)X 1850 (H) MM



MODEL	4 TRACK	6 TRACK	8 TRACK	10 TRACK	12 TRACK
Foil Width	145mm	210mm	260mm	280mm	310mm
Output /Min.	600-1200	1200-1800	1800-2500	2250-3125	2700-3750

* We can also supply special purpose machinery to Pack Refills, Mosquito Mats, Candies, Granules, Powders, solid and semi solid up to 20gms.